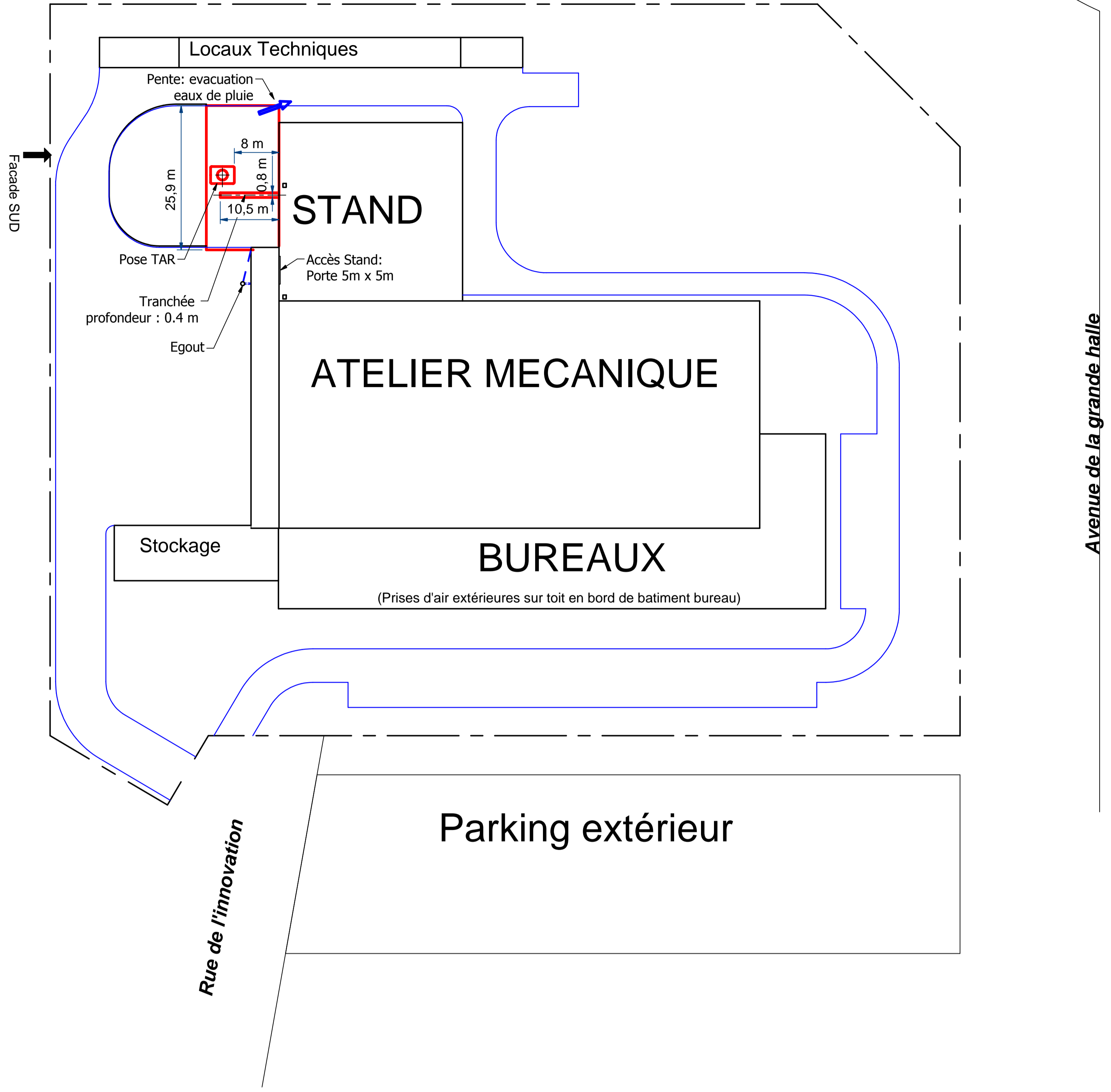
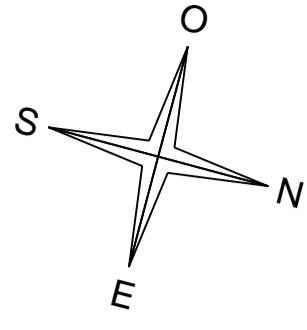
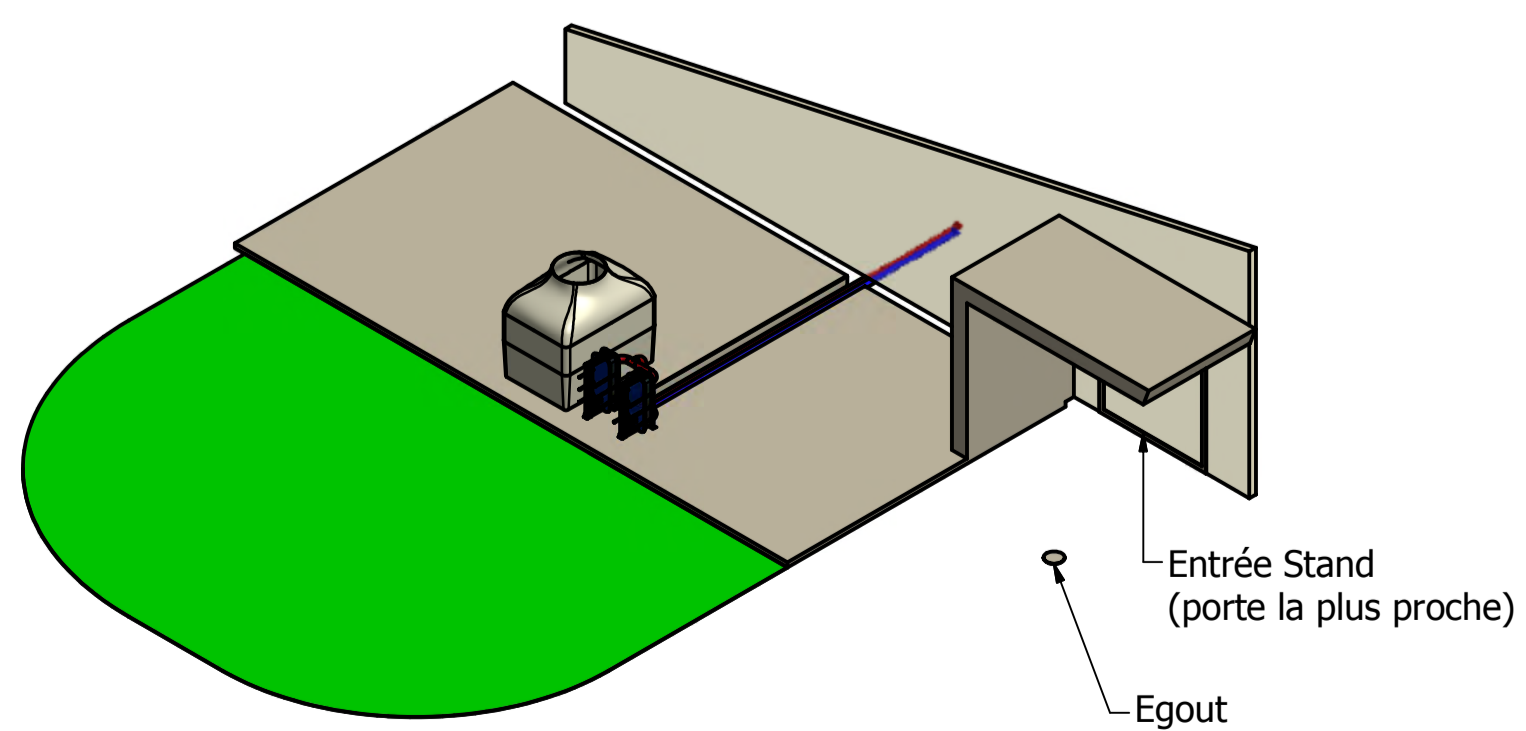
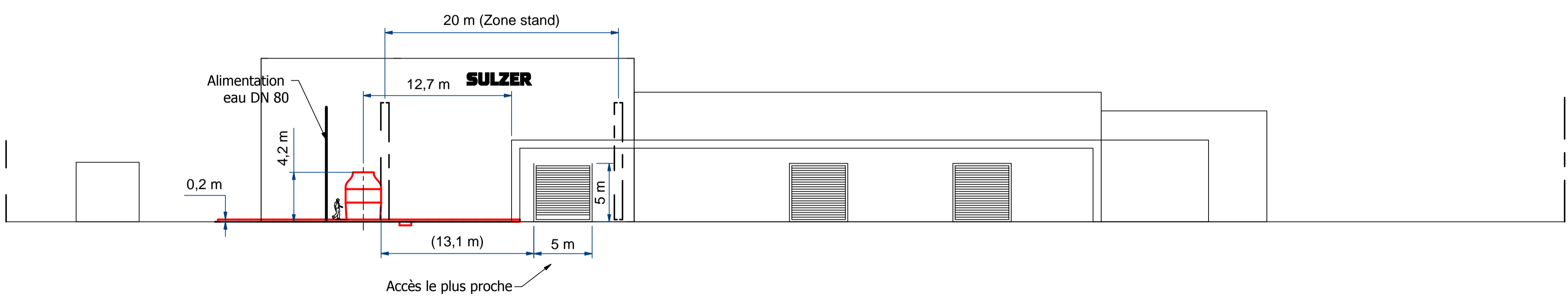


# Plan de masse (Ech 1/500eme)



# Façade Sud (Ech 1/250eme)



Projet de construction en rouge.  
 Plan du Site : Voir AUTOCAD 7424-DOE-MAS  
 Détail montage tour: 2-104325306

Redimensionnement dalle / Localisation ouvrants et prise d'air		25.01.2017		
		D.Lemarié	Ch.Sorrentino	Cl.Watenberg
REV.	MODIFICATION	MODIFIED	CHECKED	APPROVED
SEP. PARTS LIST:	No	FORMAT 1	DESIGN GROUP	SPF THIRD ANGLE PROJECTION
REPLACED BY:		SUBSTITUTE FOR:		ORIGINAL SCALE 1/250
STAND		Positionnement Dalle et TAR		DRAWN: 09/11/2016 lemador
STAND		Premis de construction		CHECKED: 18/11/2016 L.millet
STAND		Test Bed Drawing		APPROVED:
<b>SULZER</b>		PART NO.	Fr	1-104325323
				1 / 1

COPYRIGHT © (DATE OF DRAWING) SULZER PUMPS INC. ALL RIGHTS RESERVED. NO PART OF THIS DRAWING MAY BE REPRODUCED, DISTRIBUTED OR TRANSMITTED IN ANY FORM OR BY ANY MEANS, ELECTRONIC OR MECHANICAL, INCLUDING PHOTOCOPYING AND RECORDING, WITHOUT THE EXPRESS PRIOR WRITTEN CONSENT OF SULZER PUMPS