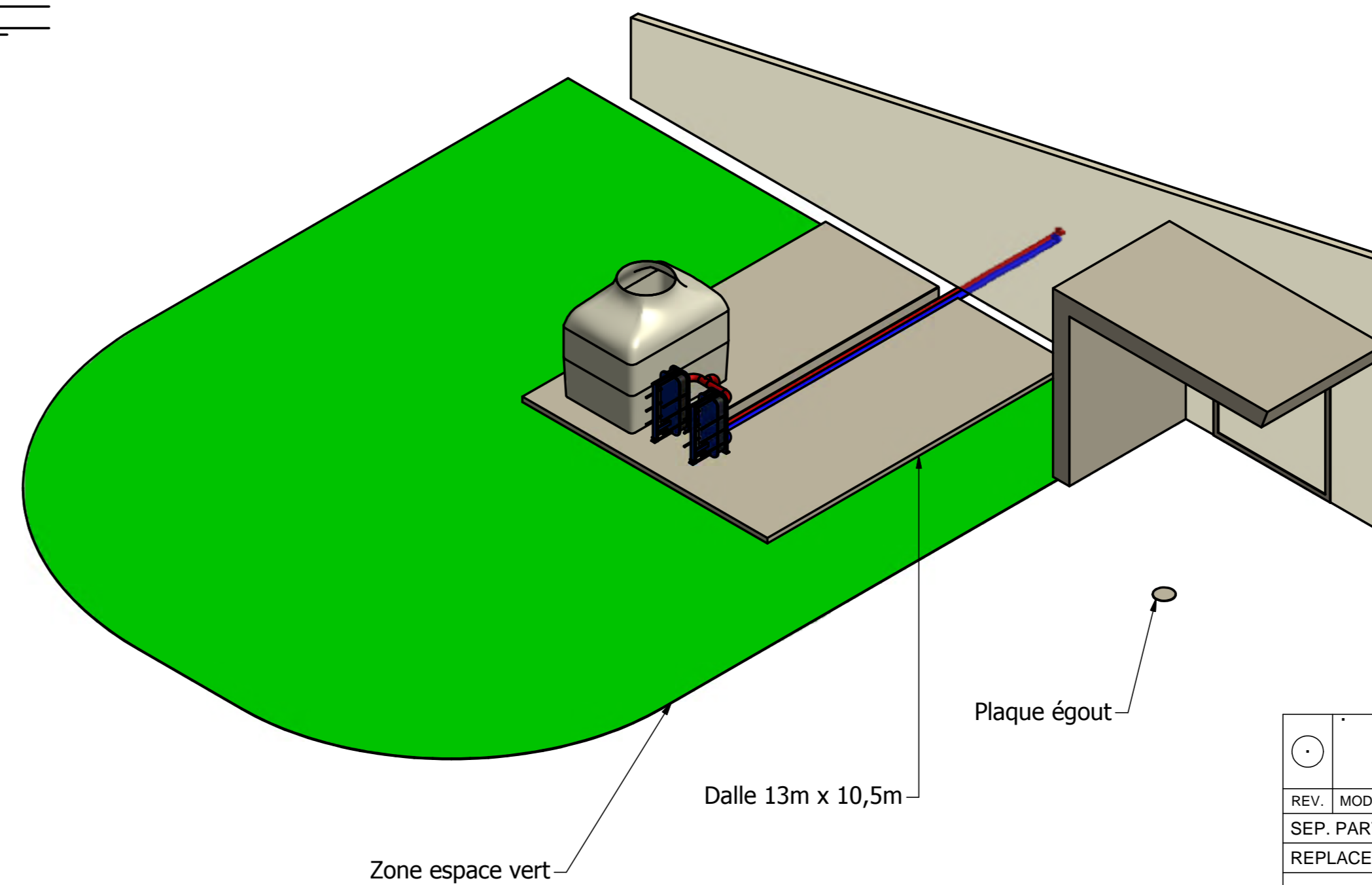
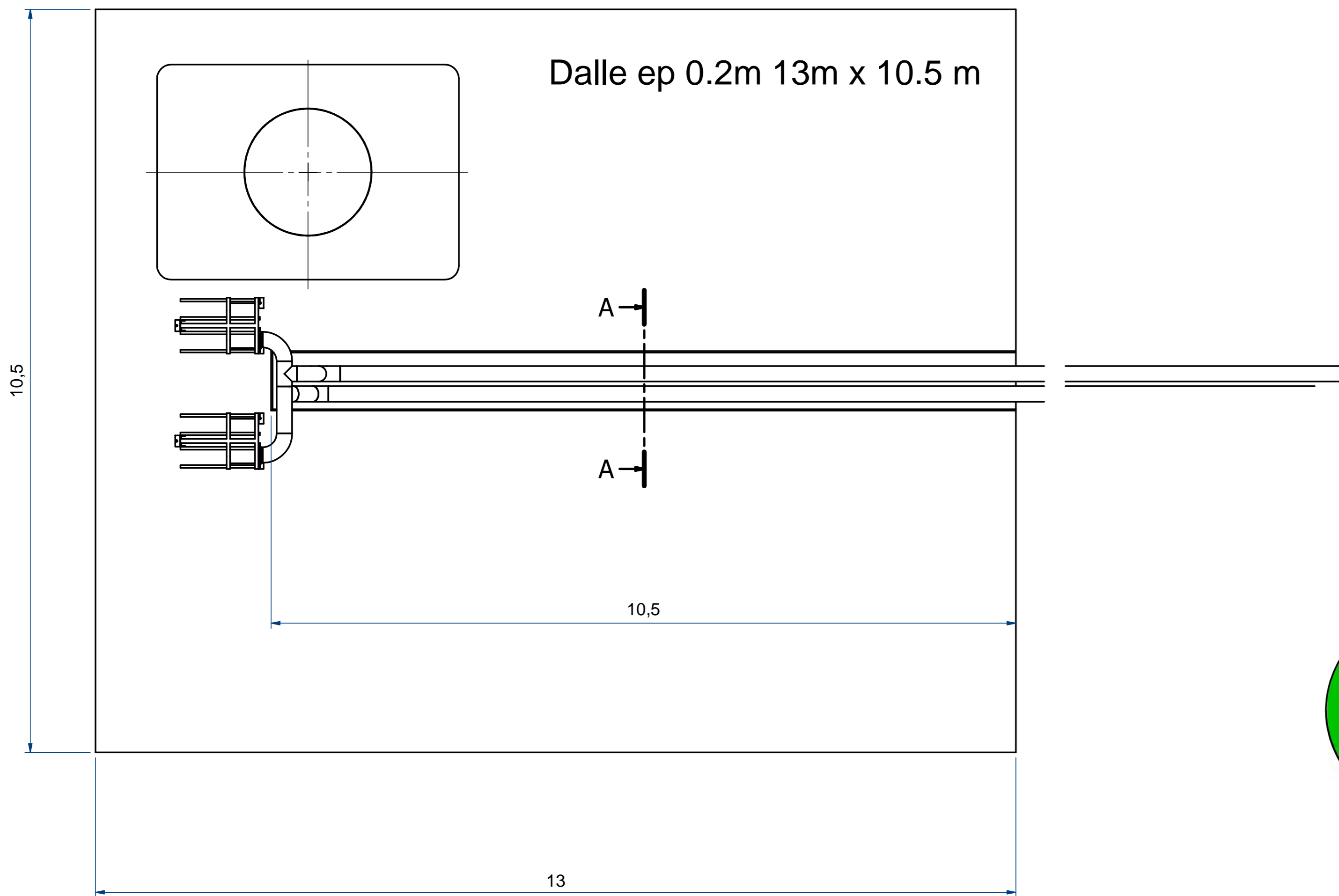
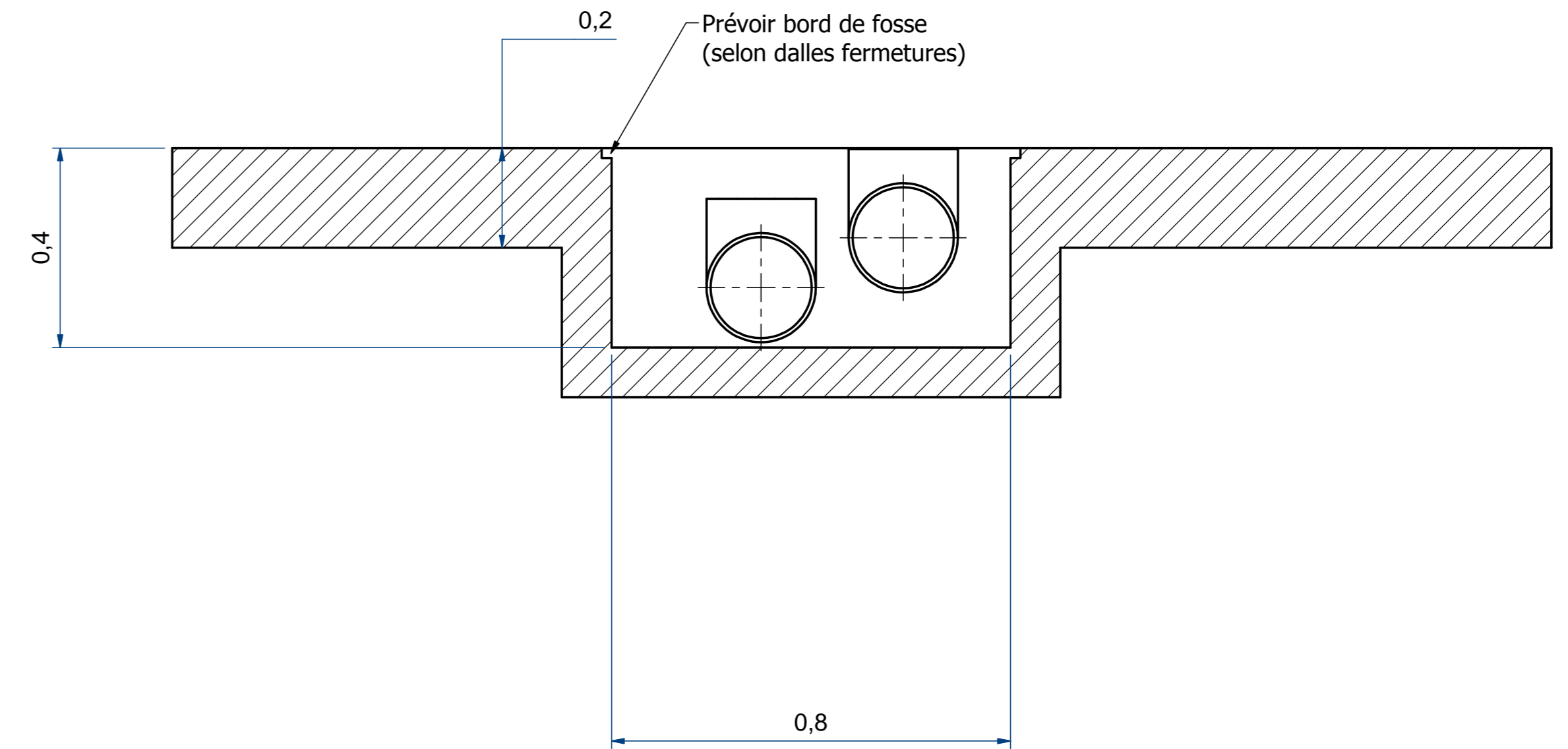


A-A ( 1 : 10 )



REV.	MODIFICATION	NO	FORMAT	DESIGN GROUP	MODIFIED	CHECKED	APPROVED
SEP. PARTS LIST:	No	FORMAT	1	DESIGN GROUP	SPF	THIRD ANGLE PROJECTION	☐
REPLACED BY:		SUBSTITUTE FOR:		ORIGINAL SCALE	500_1/250	DRAWN:	09/11/2016 lemadom
STAND	STAND Positionnement Dalle et TAR Plan maçonnerie				CHECKED:	18/11/2016 L.millet	APPROVED:
TEST BED DRAWING		PART NO.	Fr	1-104325325	1 / 1		

COPYRIGHT © (DATE OF DRAWING) SULZER PUMPS INC. ALL RIGHTS RESERVED. NO PART OF THIS DRAWING MAY BE REPRODUCED, DISTRIBUTED OR TRANSMITTED IN ANY FORM OR BY ANY MEANS, ELECTRONIC OR MECHANICAL, INCLUDING PHOTOCOPIING AND RECORDING, WITHOUT THE EXPRESS PRIOR WRITTEN CONSENT OF SULZER PUMPS