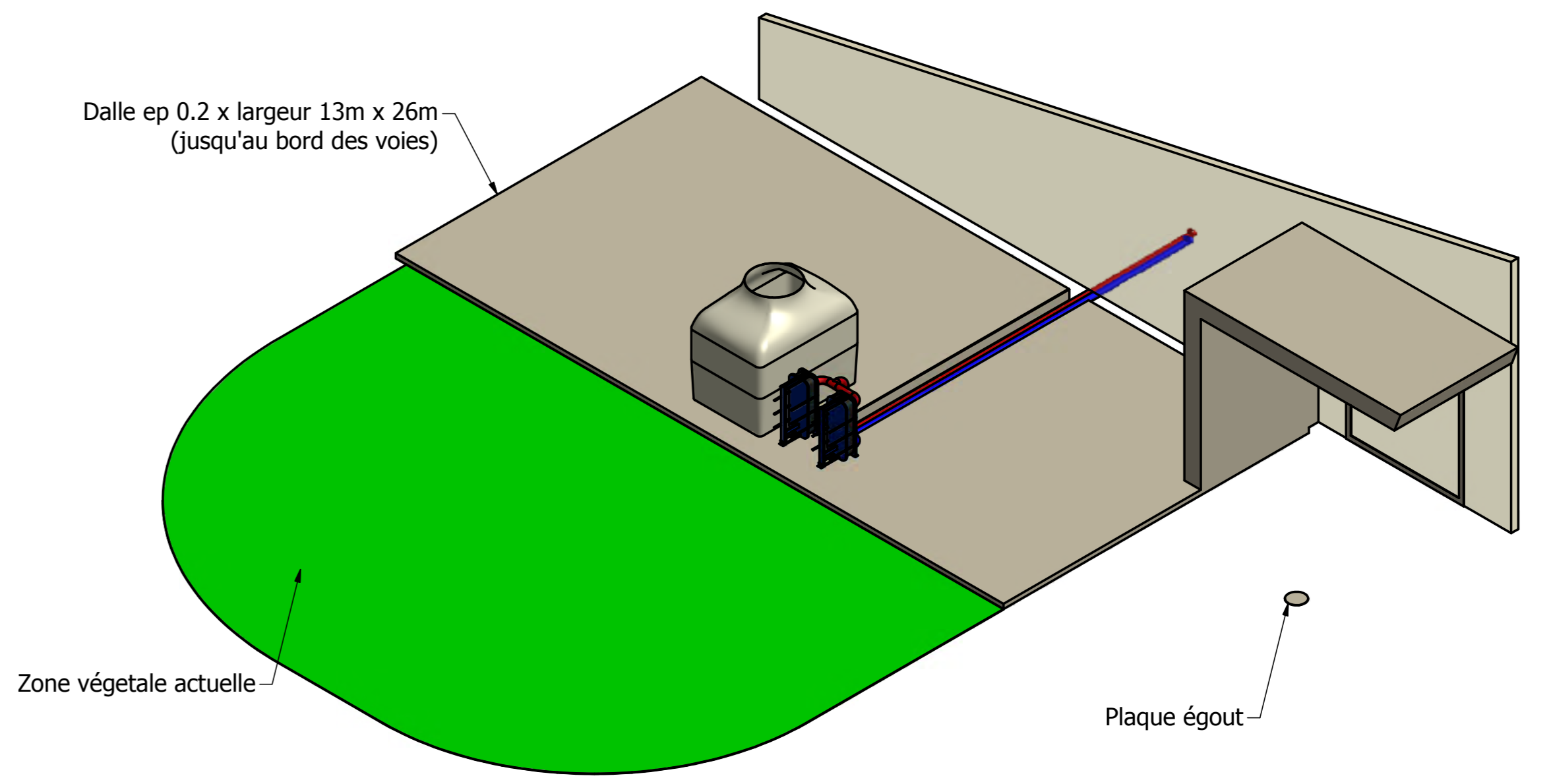
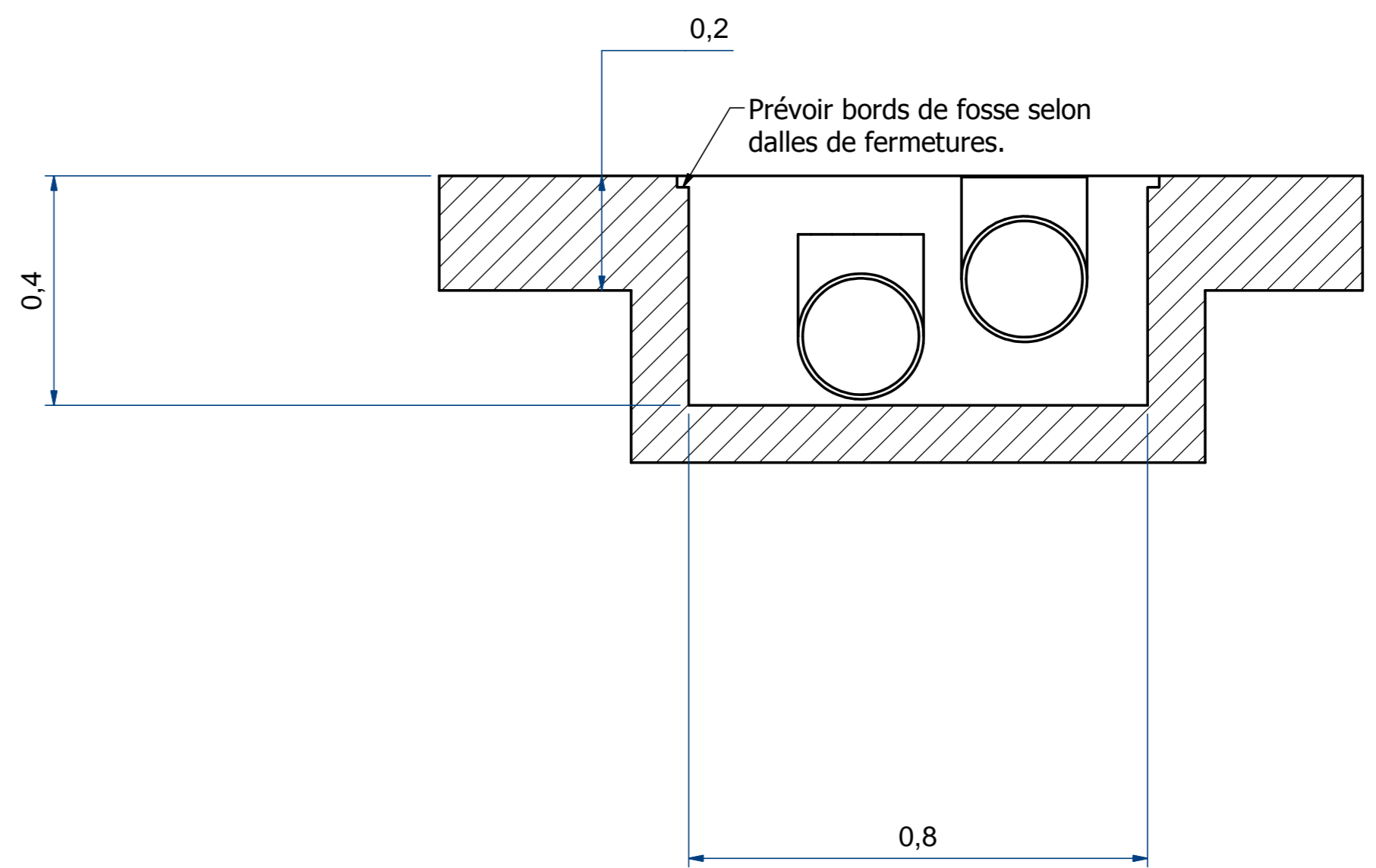


A-A ( 1 : 10 )



COPYRIGHT © (DATE OF DRAWING) SULZER PUMPS INC. ALL RIGHTS RESERVED. NO PART OF THIS DRAWING MAY BE REPRODUCED, DISTRIBUTED OR TRANSMITTED IN ANY FORM OR BY ANY MEANS, ELECTRONIC OR MECHANICAL, INCLUDING PHOTOCOPIING AND RECORDING, WITHOUT THE EXPRESS PRIOR WRITTEN CONSENT OF SULZER PUMPS

Redimensionnement dalle		30.11.2016		
		D.Lemarié	Ch.Sorrentino	L.Millet
REV.	MODIFICATION	MODIFIED	CHECKED	APPROVED
SEP. PARTS LIST:	No	FORMAT 1	DESIGN GROUP	SPF
REPLACED BY:		SUBSTITUTE FOR:		THIRD ANGLE PROJECTION
				ORIGINAL SCALE 1/250
				DRAWN: 09/11/2016 lemadom
				CHECKED: 18/11/2016 L.millet
				APPROVED:
<b>SULZER</b>		PART NO.	Fr	1-104325325
				1 / 1